



WINDOW PRODUCTS LIMITED

Effective solutions for windows manufacturers and fitters

Unit 4203 Oakfield Close,
Tewkesbury Business Park,
Tewkesbury, Glos
GL20 8PF

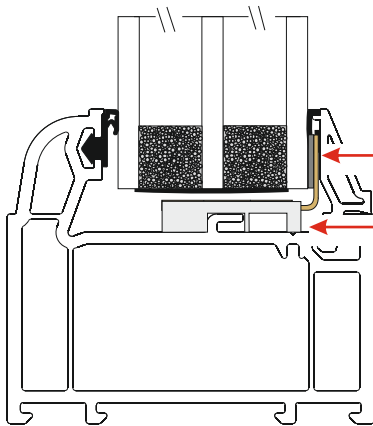
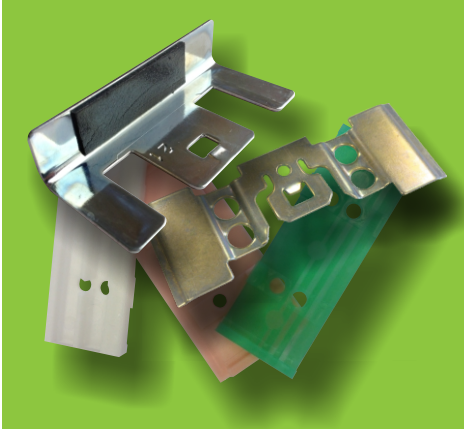
T: 01684 290944

E: sales@gtwindowproducts.co.uk

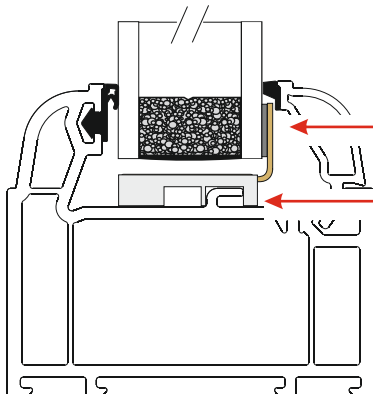
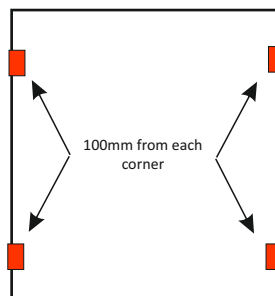
W: www.gtwindowproducts.co.uk

GT Securi-Clip

Patent No. GB2403979B



- SECURI-CLIP
Use SC127 36mm units
- Use SB000 Base Plate with GT030 White Packer in the front position as shown



- SECURI-CLIP
Use SC127 for 28mm
- Use SB000 Base Plate with GT030 White Packer in the back position as shown

Use same combination for all transoms and mullions with fixed glazed units.

All fixings, where possible, should go into steel reinforcing.

GT SECURI-CLIP is a patented glass retention system which, when fitted in the appropriate numbers and position, assists internally and externally beaded windows and doors to meet the requirements of PAS 23/24. (see system test reports)

The clip set assembly is comprised of a baseplate, a clip to suit the sealed unit thickness and a buffer to prevent contact between glass and clip. A profile related packer is available to adapt the base when required for recessed profile.

GT SECURI-CLIP may be used on PVCu, Aluminum or Timber windows and doors.

Assembly into a window or door frame is quick and easy either for on site glazing or factory glazing, which ever suits your own requirements.

The operation of de-glazing is simplified by using a designated key.